

Vertical Dryer for Solids Type:

## EKATO SOLIDMIX VST

### General features:

- Vacuum contact dryer for free-flowing bulk materials
- Cantilevered shaft without product contact at bearings
- Close clearances between agitator and vessel wall prevent product build-up and increases heat transfer performance
- Standardized agitator drives ensure reliable operation
- Low maintenance costs
- Appropriate shaft seal systems for every application (not product-wetted)
- GMP-compliant design, high quality surface finishes, avoidance of dead spaces
- CIP concepts and validated cleaning procedures
- Chopper option to prevent the formation of lumps
- Dust collected in vapor filter
- EKATO offers complete drying systems equipment with heating unit, solvent recovery unit and control system
- Virtually complete emptying by means of conical bottom



EKATO SOLIDMIX VST 100

### Function:

- Vacuum contact drying
- Low shear mixing action, upward long the vessel wall and downward along the agitator shaft
- Intense heat transfer by forced product circulation
- High degree of homogeneity achieved
- Continuous renewal of the product layer in contact with heat transfer zone through efficient mixing action
- Acceleration of drying by means of vacuum (lowering of boiling point)

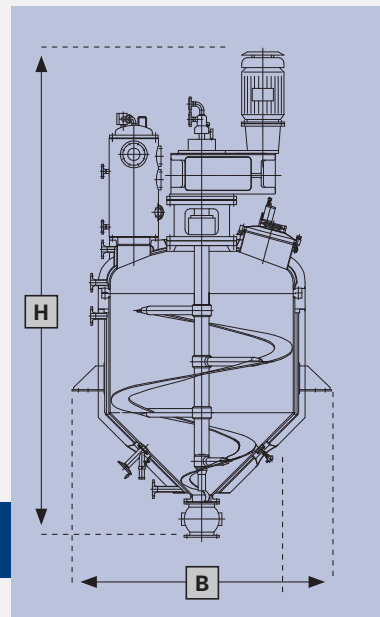
### Application:

- Drying of free-flowing products such as filter cake moist from the centrifuge, shear-sensitive powders or crystals, active pharmaceutical ingredients (API)
- Suitable for hazardous zones

# EKATO SYSTEMS

EKATO SYSTEMS GmbH  
 Käppelemattweg 2  
 79650 Schopfheim  
 Germany  
 Tel. +49 (0) 7622 29-400  
 Fax +49 (0) 7622 29-600  
 E-mail: systems@ekato.com

www.ekato.com



## EKATO SOLIDMIX VST

TYPE	EFF. VOLUME (l)	HEIGHT H (mm)	WIDTH B (mm)	WEIGHT (kg)
VST 100	110	2000	1100	1000
VST 250	260	2500	11300	1500
VST 400	430	2700	1500	2000
VST 630	670	3100	1700	3000
VST 1000	1110	3400	1900	4000
VST 1600	1710	3800	2100	5000
VST 2500	2500	4200	2300	6000
VST 4000	4090	4800	2700	9000
VST 5000	5450	5000	2700	10 000
VST 6300	7090	5600	3400	12 000
VST 10000	10 080	6200	3600	14 000
VST 16000	16 840	6900	4100	16 000
VST 20000	20 220	7400	4800	18 000
VST 25000	26 090	8000	5200	20 000
VST 32000	33 010	8500	5600	25 000

Dimensions are approximates



EKATO SOLIDMIX VST 2500