

Mechanical Seal ESD142

product lubricated

ESD142

Function

- Single-acting, product lubricated and independent from the direction of rotation mechanical seal
- Mechanical seal ESD142 is used as a flooded seal
 - horizontal or vertical installation

Advantages

- No addition seal liquid supply systems required
- Extended life time, with abrasive products

Working limits

Operating pressure:	vacuum ... 3 bar (abs.)
Vessel temperature:	-20...+100°C
Shaft size:	20...80 mm
Sliding speed:	0...5 m/s
Certification:	Acc. to ATEX 2014/34/EU

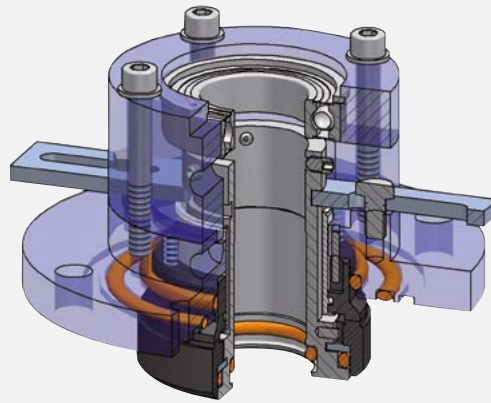
Materials

Housing:	Stainless steel, special materials
Product-wetted parts:	Stainless steel, special materials
Seal rings:	Silicon Carbide
O-rings:	FKM (Viton), FEP/FKM, FFKM (Kalrez, Chemraz etc.), special materials
FDA approval:	Possible for all product-wetted parts

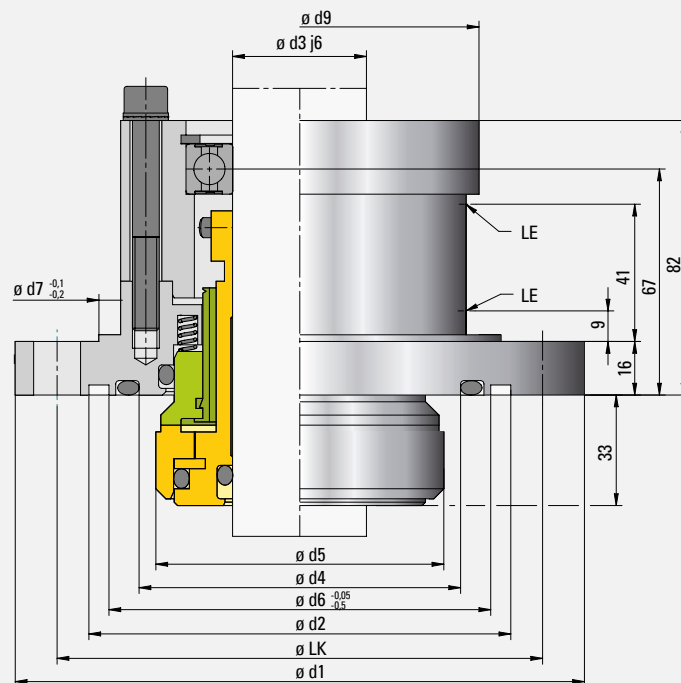
Applications

- Biofuels and bio refineries
- Storage tanks





Design details ESD142



Seal type	d1	d2	d3	d4	d5	d6	d7	LK
ESD142Y040	170	126	40	96	86	114	120	145
ESD142Y060	210	126	60	116	106	114	120	190
ESD142F040	170	126	40	96	86	114	120	145
ESD142F060	210	126	60	116	106	114	120	190
ESD142F080	235	126	80	126	126	114	120	210

All dimensions in mm. Other sizes available on request. Technical data are subject to changes.