

# High pressure seal ESD64H

double-acting

ESD64H

Advanced Process Solutions

## Function

- Double-acting mechanical seal liquid lubricated for high pressure applications
- Robust high pressure seal with four geometrically identical seal rings arranged back-to-back
- Position of the seal rings remains unchanged, even when the pressure is reversed
- Application in high pressure processes including supply systems - Maximum requirements for reliability
- Suitable for frequent changes in pressure and extremely high temperatures

## Advantages

- Resistant to pressure changes
- No deformation of the mechanical seal under pressure
- High temperatures possible / better heat dissipation
- Minimal leakage
- Extended life time

## Working limits

Operating pressure:	Vacuum ... 100 bar (abs.)
Vessel temperature:	-50...+400°C
Shaft size:	40...220 mm
Sliding speed:	0...3 m/s
Certification:	Acc. to ATEX 2014/34/EU

## Materials

Housing:	Stainless steel
Product-wetted parts:	Stainless steel, Alloy, Titanium, special materials
Seal rings:	Carbon, Silicon Carbide
O-rings:	FKM, EPDM, FFKM (Kalrez, Chemraz etc.), special materials
FDA approval:	Possible for all product-wetted parts

## Applications

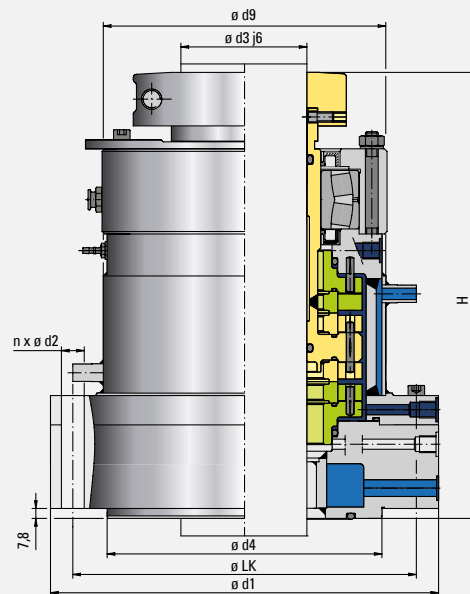
- Bulk chemicals
- Specialty chemicals
- Hydrometallurgy



**EKATO**



## Design Details ESD64H



Series / $\sigma$	d1	d3	d4	d9	LK	n x d2	H *
ESD64H / 040	240	40	176	160	210	8 x 18	320
ESD64H / 060	240	60	176	242	210	8 x 18	345
ESD64H / 080	275	80	204	213	240	8 x 23	370
ESD64H / 100	305	100	234	222	270	8 x 23	390
ESD64H / 120	330	120	260	256	295	8 x 23	415
ESD64H / 140	395	140	313	298	350	12 x 23	435
ESD64H / 160	395	160	313	311	350	12 x 23	450
ESD64H / 180	445	180	364	348	400	12 x 23	460
ESD64H / 200	445	200	364	380	400	12 x 23	470
ESD64H / 220	505	220	422	415	460	12 x 23	480

\* with KWS | All dimensions in mm. Other sizes available on request. Technical data are subject to changes.