

The UNIMIX SRA system is based on decades of experience to cope with the requirements in the pharmaceutical, cosmetic, chemical and food industry especially for bigger batch sizes.

UNIMIX SRA系统建立在数十年的医药、化妆品、化学和食品行业的使用经验的基础上，尤其适用于大批量的生产。

UNIMIX MIXER TYPE SRA SRA 系列真空均质混合机

The general features are as follows:

- according to cGMP regulations
- vacuum / pressure tight
- heating / cooling jacket
- PARAVISC (EKATO Patent) - agitator system with wall scrapers (other agitators are available)
- lid fixed - bolted or welded
- the patented UNIMIX homogenizer STERILJET, at lowest point in vessel for internal / external homogenization (other homogenizers are available)
- various control systems available
- heating / cooling system, various options available
- flame - proof execution
- remote maintenance

主要特点如下:

- 符合cGMP规范
- 真空 / 压力密封
- 加热 / 冷却夹套
- PARAVISC (EKATO专利技术) - 带容器壁刮板的搅拌桨系统 (也可采用其他型式搅拌桨叶)
- 顶盖固定(螺栓或焊接固定)
- 拥有专利的UNIMIX均质器STERILJET, 在容器的最低点实现内部 / 外部均质作用(也可采用其他型式均质器)
- 可配各种控制系统
- 加热 / 冷却系统, 可供选择
- 有防爆设计
- 可远程维护



UNIMIX SRA 2500

All machines within this production range incorporate special features assuring safe and economical production for a wide variety of products and viscosities.

该类型的所有机器, 都集成了特定的性能, 保证针对多种搅拌产品和粘度条件, 实现安全、经济的生产。

The UNIMIX SRA - mixers are used worldwide and enjoy an excellent reputation for the production of ointments, gels, suspensions, toothpaste, skin care as well as a range of specialities within the food and chemical industry.

UNIMIX SRA 型混合机服务于全球, 在软膏、凝胶、悬浮物、牙膏、护肤品的生产领域享有盛誉, 而且在食品和化学工业上也具有一定的专长。

EKATO UNIMIX

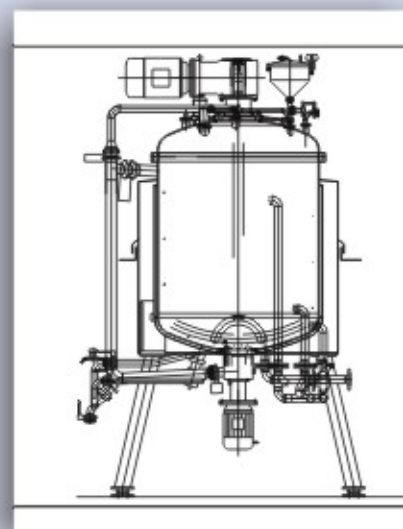
HAAGEN & RINAU Mischtechnik GmbH
Thalendorststraße 15a
D-28307 Bremen
Tel.: +49 (0) 421-48687-0
Fax: +49 (0) 421-48687-48
e-mail: unimix@ekato.com

www.unimix.com



UNIMIX MIXER TYPE SRA Characteristics SRA 系列真空均质混合机 规格

Type	Nominal Volume [l]	Outer Vessel Diameter [mm]	Recommended Homogenizer*	BTO [min ⁻¹]
型号	额定容积 [l]	容器外径 [mm]	推荐使用的高速均质器*	BTO [1/分钟]
SRA 500	500	1147	SJ 500	1.00
SRA 630	630	1248	SJ 500	0.79
SRA 800	800	1248	SJ 500	0.63
SRA 1000	1000	1508	SJ 1000	1.00
SRA 1250	1250	1508	SJ 1000	0.80
SRA 1600	1600	1611	SJ 1000	0.63
SRA 2000	2000	1711	SJ 1000	0.50
SRA 2500	2500	1813	SJ 2500	1.00
SRA 3000	3000	1967	SJ 2500	0.83
SRA 4000	4000	2167	SJ 2500	0.63
SRA 5000	5000	2267	SJ 2500	0.50
SRA 6000	6000	2370	SJ 2500	0.42
SRA 8000	8000	2622	SJ 2500	0.31
SRA 10000	10000	2824	SJ 2500	0.25



UNIMIX SRA

*SJ=STERILJET

德国EKATO搅拌技术有限公司上海代表处

地址: 上海市漕宝路509号新漕河泾大厦708室 邮编: 200233

tel: +86-21-6495 2966 fax: +86-21-6485 6183 e-mail: sales@ekato.com.cn www.ekato.com.cn